

PHOTOELECTRIC BEAM SENSOR (ANTI CRAWL)

PB-IN-100AT Outdoor 100m (330 ft.)



The TAKEX Intelligent-Quad series now has a new member to its product family, the PB-IN-100AT “Anticrawl” photoelectric beam. This beam has been designed for high security applications where attempts to crawl through a portion of the photobeam create an alarm event instead of no alarm. Transmitters project double modulated beams that differ in pulse pattern from upper and lower parts. Through CPU processing, the upper receiver selects the beam from the upper transmitter and the lower receiver selects the beam from the lower transmitter, allowing for an AND-gated or an OR-gated system.

BASIC OPERATION

The following basic operation is required for the purpose of preventing lost alarms from intrusion by crawling without burdening the system with false alarms via small animals.

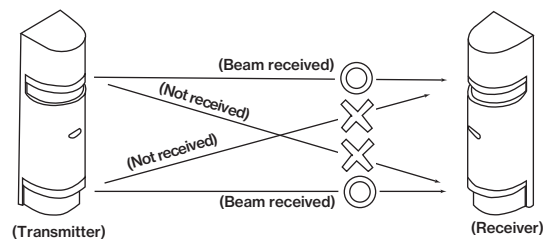
* Lower or upper beams interrupted

An alarm is not output by instantaneous beam interruption, but an alarm is output when the interruption continues during a set response time.

The response time can be tailored to prevent intrusion by crawling while at the same time avoiding false alarms due to small animals.

* ALL beams interrupted

Same as PB-IN-HFA series, an alarm is output when beam interruption continues during the response time.



FOUR FREQUENCY SELECTION

4 separate choices of frequency avoids cross-talk in stacked or long linear installations.

DUAL RESPONSE TIME SYSTEM

Two individual response times are provided for separate adjustment of AND/OR gates. This enables detection of intruders, but minimizes false alarms.

DBEAM TRANSMISSION STRENGTH SELECTION

2 levels of beam transmission strength which can be set to suit the protection distance.

AUTO-GAIN LOCK

Optimal sensitivity gain is automatically set at any coverage distance up to the maximum protection distance. Auto-Gain lock is easily confirmed by sound check.

EASY BEAM ALIGNMENT

- Audible signal for alignment [Utility model] ... An alignment tone aids in quick set-up beams. The tone becomes maximum at peak of beam level.
- Beam selector ... Upper and lower beam alignment can be adjusted without using a shading plate.
- Sensitivity attenuation LED ... Lights when beam level is attenuated, which shows low sensitivity.
- Monitor jack output
- Target color

PROGRAMMED AGC

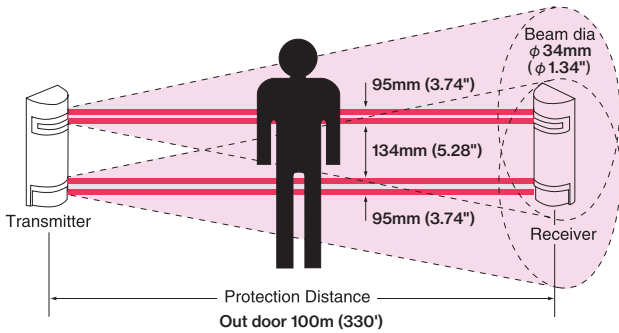
Sensitivity is automatically increased in bad weather to contend with fog, heavy rain, frost or snow.

ENVIRONMENTAL MODULE BUILT-IN

Environmental trouble signal is sent when beam reception level is reduced below an acceptable level.

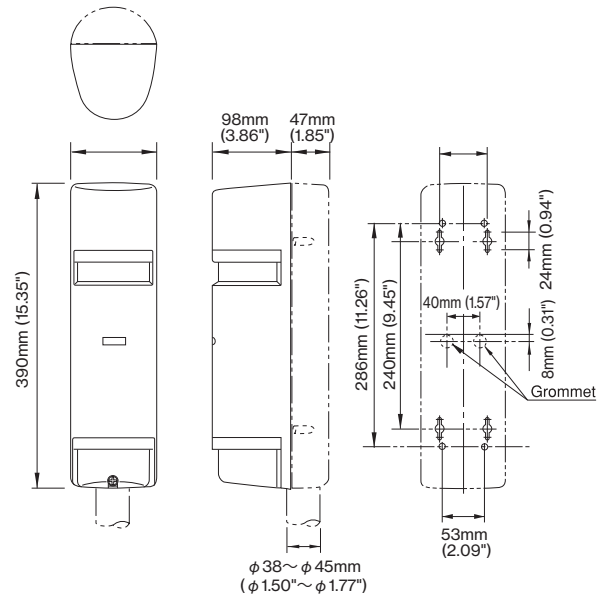
PHOTOELECTRIC BEAM SENSOR

■ COVERAGE



■ EXTERNAL DIMENSIONS

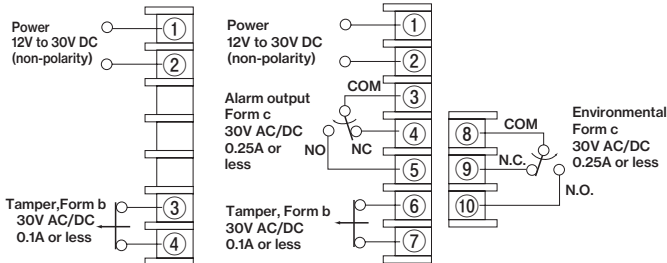
[Unit : mm (inch)]



■ TERMINAL ARRANGEMENT

<Transmitter>

<Receiver>

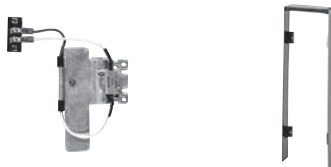


■ OPTIONAL

- Pole
KP-100 (100cm, 2pcs./set)
KP-150 (150cm, 2pcs./set)
- Pole cover
BP-200F (2pcs./set)
- Flush mount attachment
BU-50F (1pce.)
(with stainless plate)



- Heater (2pcs./set)
HTF-24
(24VDC · 860mA/set)
(Temperature control switch)
- Pole side cover
BS-50F (1pce.)



■ SPECIFICATIONS

| Product name | PHOTOELECTRIC BEAM SENSOR |
|-----------------------------|--|
| Model | PB-IN-100AT |
| Detection system | Near infrared beam interruption system (TR,-RE 4 beams simultaneous interruption or upper 2 beams interruption or lower 2 beams interruption) |
| Infrared beam | Double modulation pulsed beam by LED |
| Protection distance | Outdoor 100m (330') or less |
| Max. arrival distance | Tenfold 1000m(3300') |
| Response time | Dual response time system 35-500msec. (AND gated) 100,200,300,500msec.(OR gated) |
| Power supply | 12V to 30V DC(non-polarity) |
| Current consumption | 57mA or less |
| Alarm output | Dry contact relay output C Reset : Interruption time+off-delay(approx. 1.5 sec.) Contact capacity : 30V AC/DC, 0.25A or less |
| Environmenta output | Dry contact relay : C Contact operation : Output when weather condition gets worse Contact capacity : 30V AC/DC, 0.25A or less |
| Tamper output | Dry contact relay : N.C. Contact operation : Output when transmitter or receiver cover is detached Contact capacity : 30V AC/DC, 0.1A or less |
| Alarm LED | Red LED(receiver)lights when an alarm is initiated |
| Sensitivity attenuation LED | Red LED(receiver)lights when beam reception is attenuated |
| Functions | Modulated beam frequency selection, Tone indicator, Environmental module, Beam power selection, Beam selector, Programmed AGC, Auto-gain lock function, Monitor jack, Target color |
| Beam adjustment | Horizontal : ±90°, Vertical : ±10° |
| Ambient temperature range | -35°C to + 66°C (-31°F to + 151°F) |
| Mounting position | Outdoor |
| Wiring | Terminals |
| Weight | Transmitter : 1200g(42oz) Receiver : 1300g(45.5oz) |
| Appearance | PC resin (wine red) |

* The specifications are subject to change without notice.

Please note : This sensor is designed to detect intrusion and to initiate an alarm; it is not a burglary or a crime preventing device. TAKEX is not responsible for damage, injury or losses caused by accident, theft, Acts of God (including inductive surge by lightning), abuse, misuse, abnormal usage, faulty installation or improper maintenance.

TAKEX

In Japan

Takenaka Engineering Co., Ltd.
83-1, Gojo-Dori, Sotokan Nishi-iru, Higashino,
Yamashina-ku, Kyoto 607-8156, Japan
Tel : 81-75-501-6651

<https://www.takex-eng.co.jp/>

In the U.S.

Takex America Inc.
1810 Oakland Rd, Suite F,
San Jose, CA 95131, USA
TEL : 408-747-0100
FAX : 408-734-1100

<https://www.takex.com>

In Australia

Takex America Inc.
4/15 Howleys Road, NottingHill,
VIC,3168
Tel : +61 (03) 9544-2477
Fax : +61 (03) 9543-2342

<https://www.takex.com>

In the U.K.

Takex Europe Ltd.
Aviary Court, Wade Road,
Basingstoke, Hampshire. RG24 8PE, U.K.
Tel : (+44) 01256-475555
Fax : (+44) 01256-466268

<https://www.takex.com>